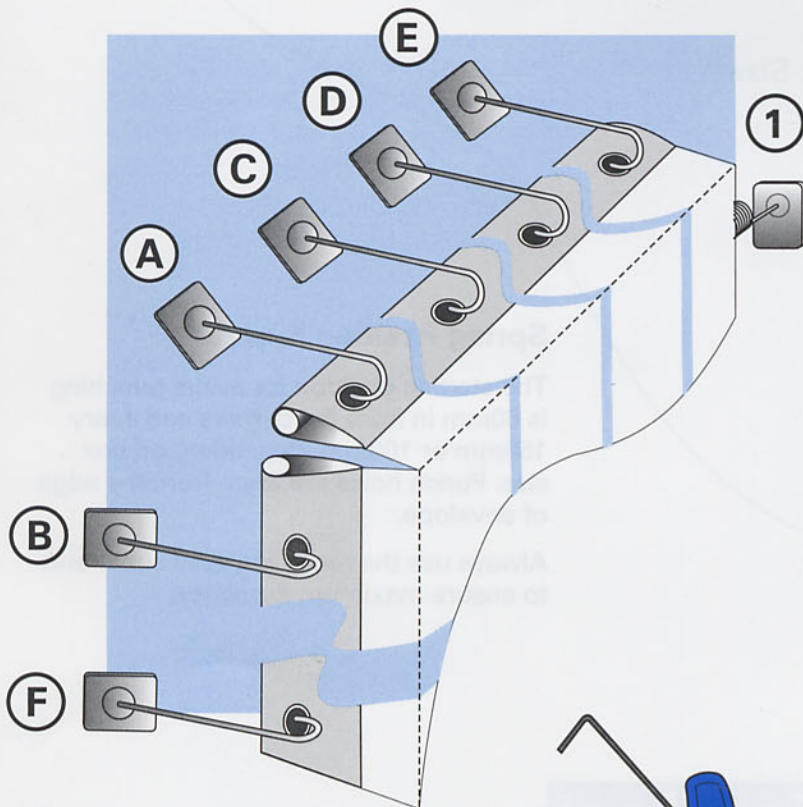
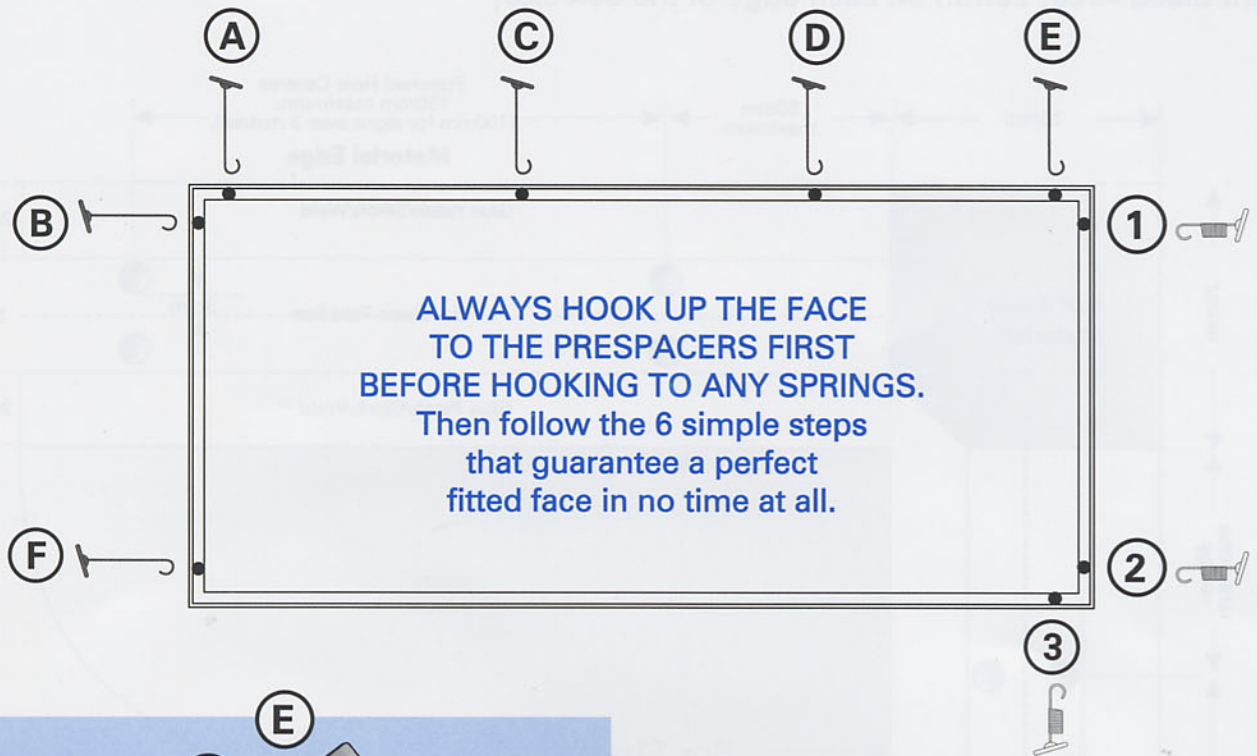


## Prespacers Fitting Sequence

Only after the Prespacers A-F have been attached should any attempt be made to attach the SPRINGS. Using the Prespacers first will ensure the face fits exactly as it should be, in its final position centred on the sign face in the quickest time possible. When all the Prespacers are holding the face in position, USING THE HOOK PULLER SUPPLIED, attaching SPRING No 1, 2 and 3 into the punched holes ensuring the hook goes over the tension bar each time, then continue following the numerical spring attachment sequence in Steps 3 - 6 on the following pages.



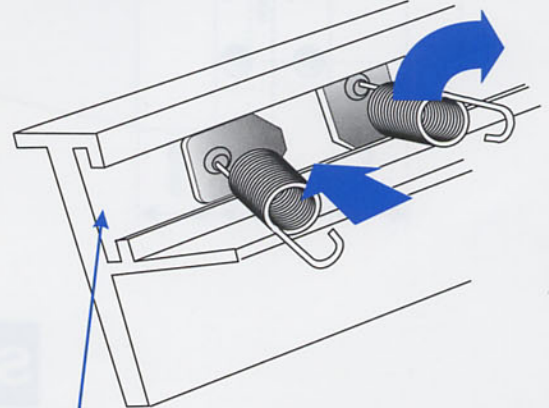
### Maintenance Kit

Spare Prespacers, Springs and Hook Puller can be purchased as a kit. Reference No.MK056



### Spring Replacement

Insert replacement Spring into slide channel of the profile and then rotate the Spring 90 degrees.



Spring's slide channel

Errors in installation or sign face materials can create problems and overstretch springs. Refer to installation notes.